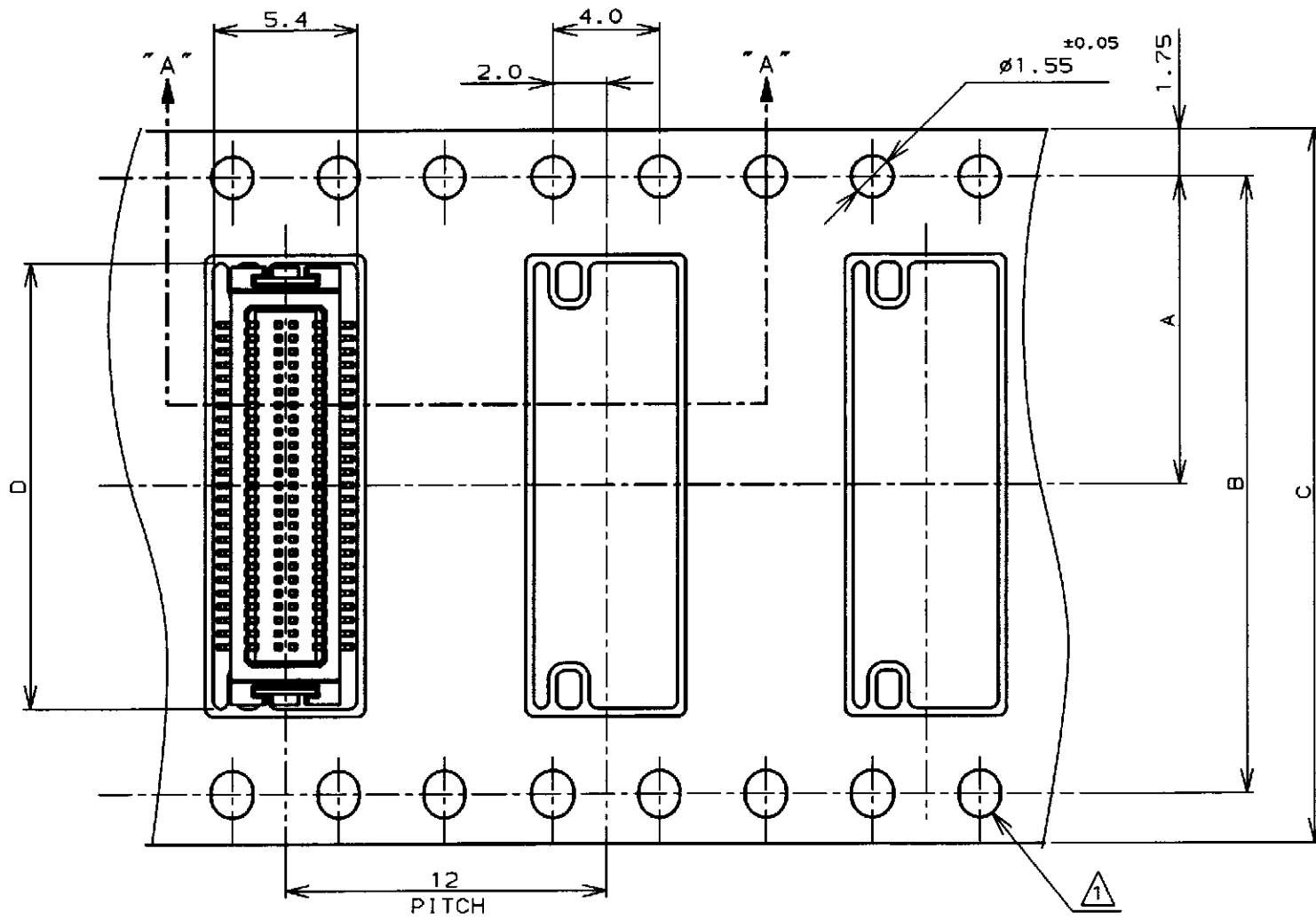


THIS DRAWING IS UNPUBLISHED. RELEASED FOR PUBLICATION .19  
 (C) COPYRIGHT 19 BY AMP INCORPORATED. ALL RIGHTS RESERVED.

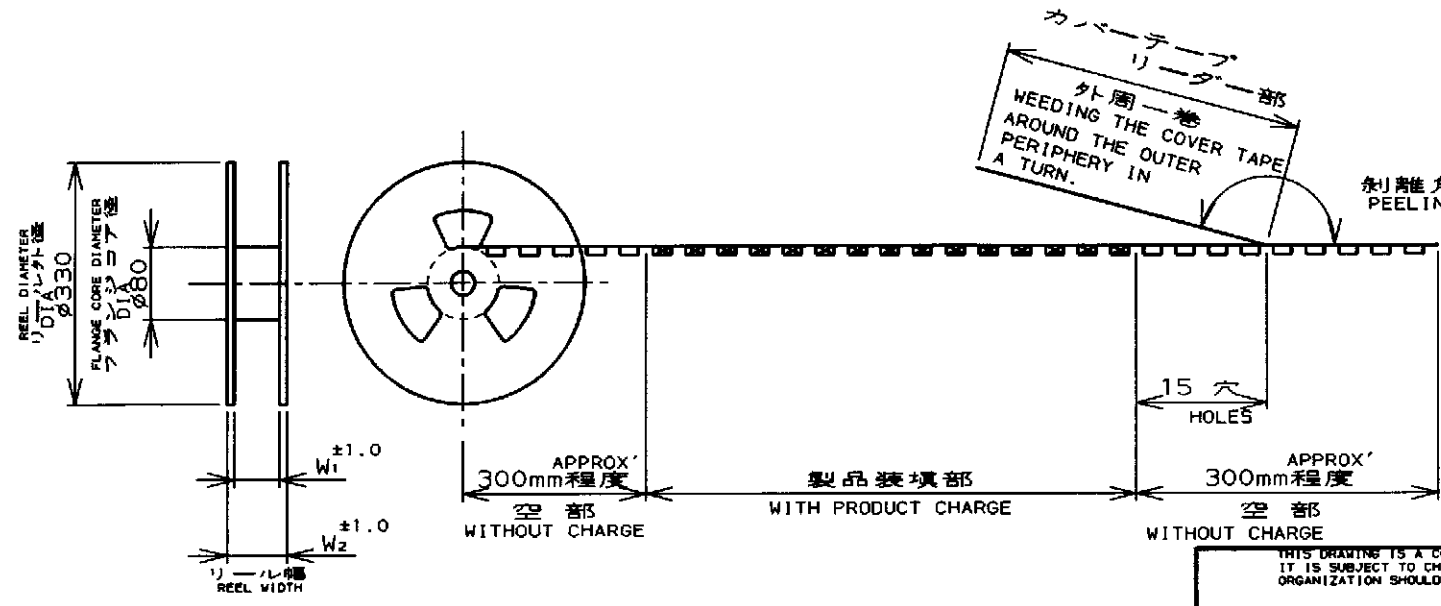
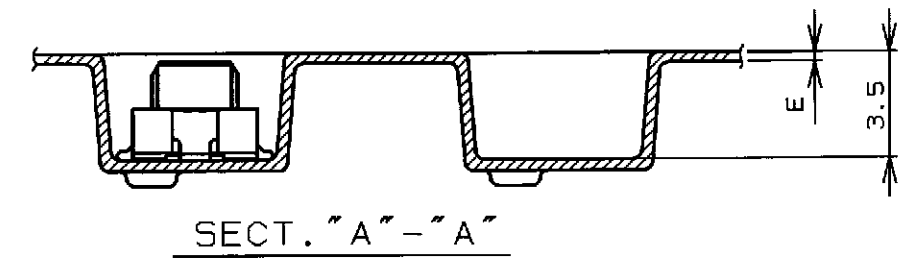
LOC	DIST	REVISIONS						
		P	LTR	DESCRIPTION	ECN	DATE	DWN	APVD
		0		RELEASED	FJ00-0061-97	2/28'97	Y.N	S.K
		A		REVISED	FJ00-1014-98	6/5 '98	Mx	TA



注記：  
 △ 指示穴は 60,70極品のみ適用。  
 NOTE:  
 △ THESE HOLES ARE APPLIED TO 60 AND 70POS. ONLY.

テープ幅  
TAPE WIDTH

引出し方向  
TOP OF REEL →



カバーテープ  
リリーフ部  
外周一巻  
WEEDING THE COVER TAPE  
AROUND THE OUTER  
PERIPHERY IN  
A TURN.  
剝離角度, 165°-180°  
PEELING ANGLE.

37.5	33.5	0.4	21.9	32	28.4	14.2	↑	70	7-	↑	-0	7-	↑	-0
37.5	33.5	0.38	19.1	32	28.4	14.2		60	6-		-0	6-		-0
29.5	25.5	0.38	16.6	24	—	11.5	1000	50	5-917797-0			5-316289-0		
W <sub>2</sub>	W <sub>1</sub>	E	D	C	B	A	数量 QTY/REEL	極数 Pos.	コネクタ型番 (バラ状) CONNECTOR P/N (L/P)			リール巻 コネクタ型番 TAPING P/N		

HANDLING AND OPERATION INSTRUCTION SHEET  
取扱説明書 411-5808

WIRE RANGE  
包合電線断面積

INSULATION DIA  
被覆外径

OWN 2/28'97  
Y. NAKAZAWA  
CHK 4/17'97  
K. ASAKAWA  
APVD  
S. Kubouchi 7/8 '98  
PRODUCT SPEC  
製品規格 108-5496  
APPLICATION SPEC  
取付適用規格

WEIGHT

CUSTOMER DRAWING

AMP  
日本エー・エム・ピー株式会社  
Kawasaki, Japan

ON TAPING (EMBOSS)  
0.5mm PITCH Fine Mate CONN.  
RECEPTACLE ASSEMBLY

SIZE A3 CAGE CODE 00779 DRAWING NO. 316289 RESTRICTED TO

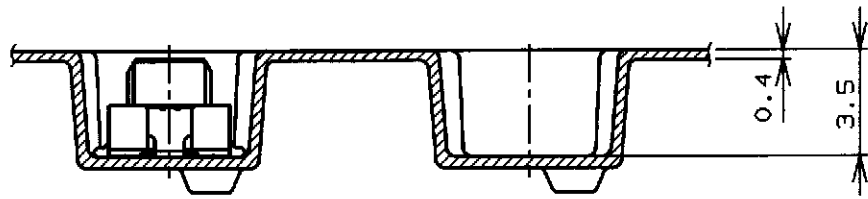
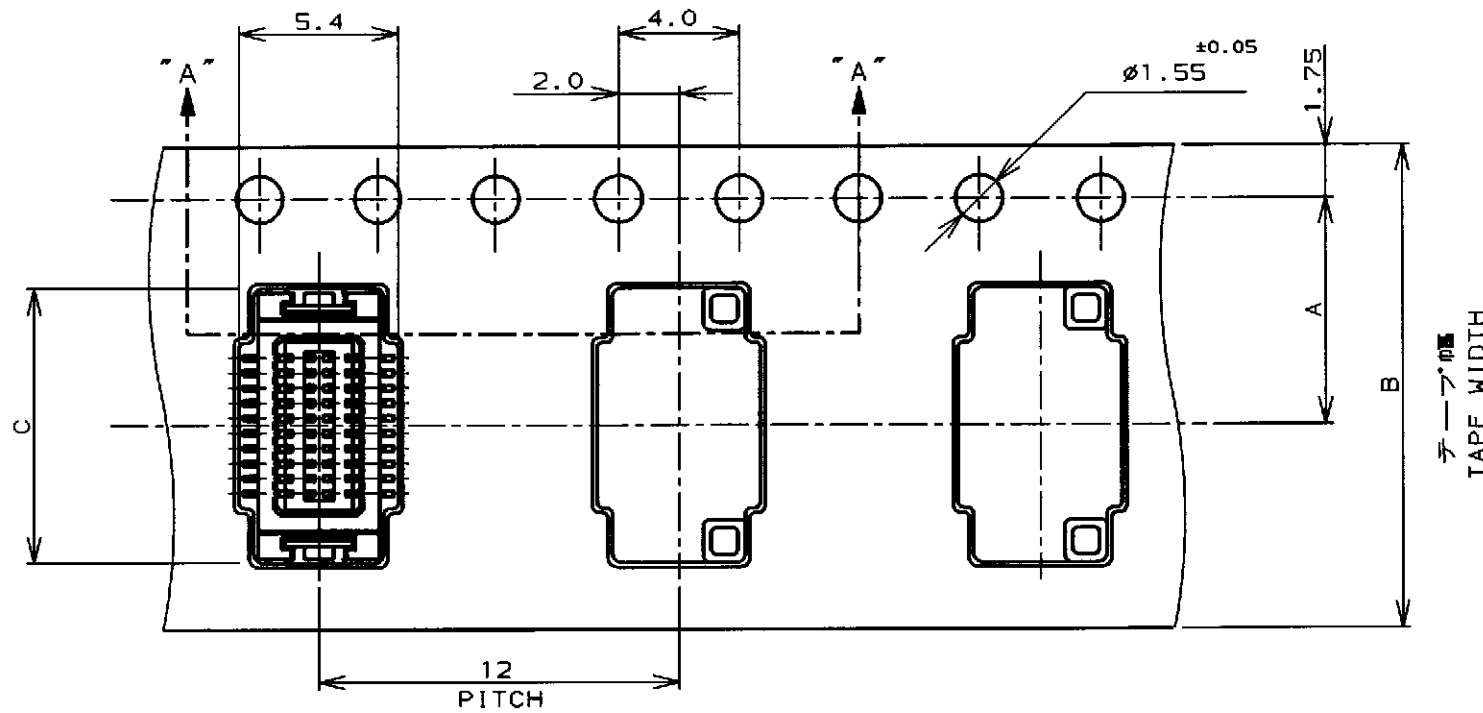
SCALE 尺度 1 OF 3 REV A

THIS DRAWING IS A CONTROLLED DOCUMENT FOR AMP INCORPORATED. IF IT IS SUBJECT TO CHANGE AND THE CONTROLLING ENGINEERING ORGANIZATION SHOULD BE CONTACTED FOR THE LATEST REVISION.

DIMENSIONS 単位・純 mm	TOLERANCES UNLESS OTHERWISE SPECIFIED
	一般公差 10mm : ±0.2 30mm : ±0.25 100mm : ±0.3 ANGLE : ±3°
MATERIAL 材料	FINISH 仕上

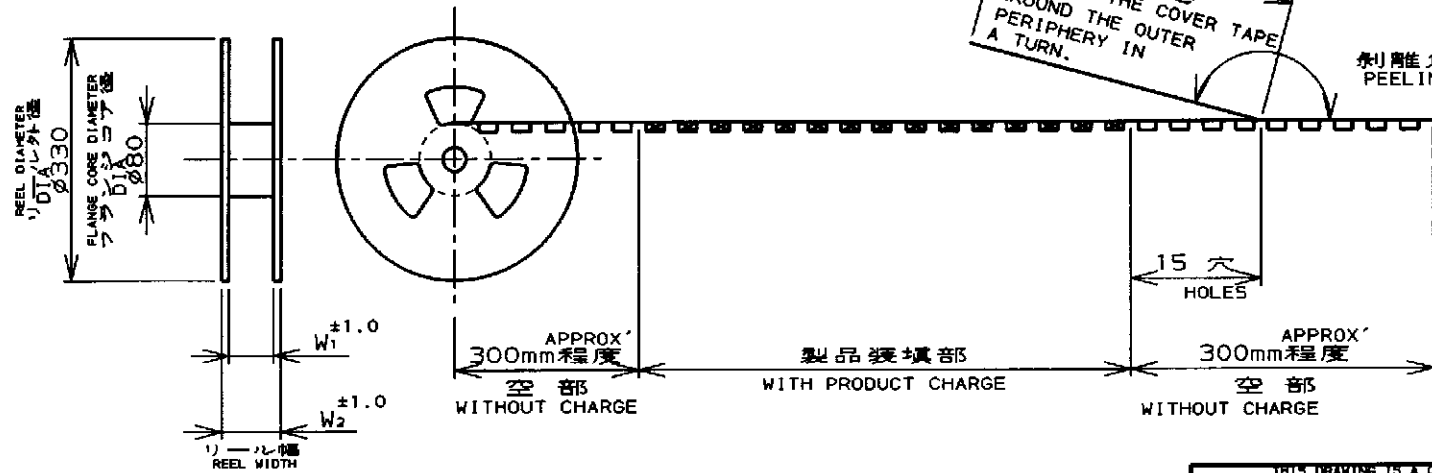
THIS DRAWING IS UNPUBLISHED. RELEASED FOR PUBLICATION, 19 .  
 (C) COPYRIGHT 19 BY AMP INCORPORATED, ALL RIGHTS RESERVED.

REVISIONS						
LOC	DIST	DESCRIPTION	ECN	DATE	DWN	APVD
		SEE SHEET 1 OF 3				



引出し方向  
TOP OF REEL

カバートープリーダ部  
外周一巻  
WEEDING THE COVER TAPE  
AROUND THE OUTER  
PERIPHERY IN  
A TURN.  
剝離角度, 165°-180°  
PEELING ANGLE.

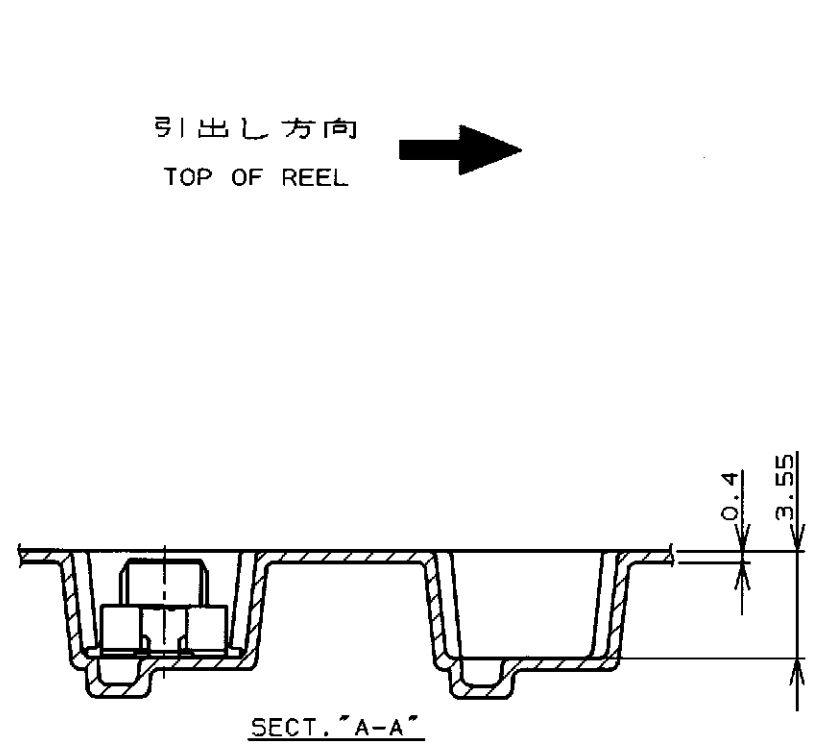
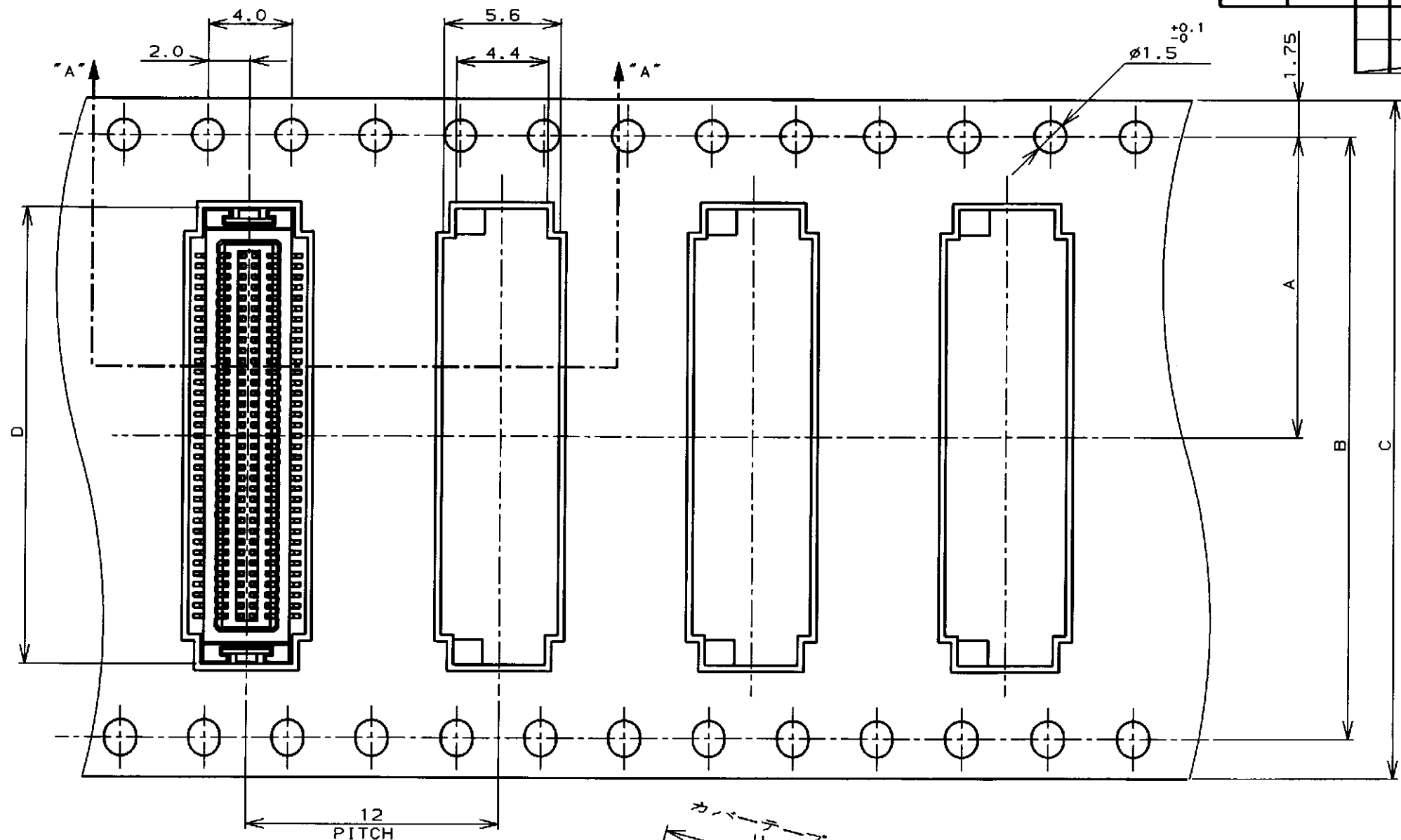


20.7	17.5	9.1	16	7.5	1000	20	2-917797-0	2-316289-0
W <sub>2</sub>	W <sub>1</sub>	C	B	A	数量 (ヶ) QTY/REEL	極数 Pos.	コネクタ型番 (メラ状) CONNECTOR P/N (L/P)	リール巻コネクタ型番 TAPING P/N

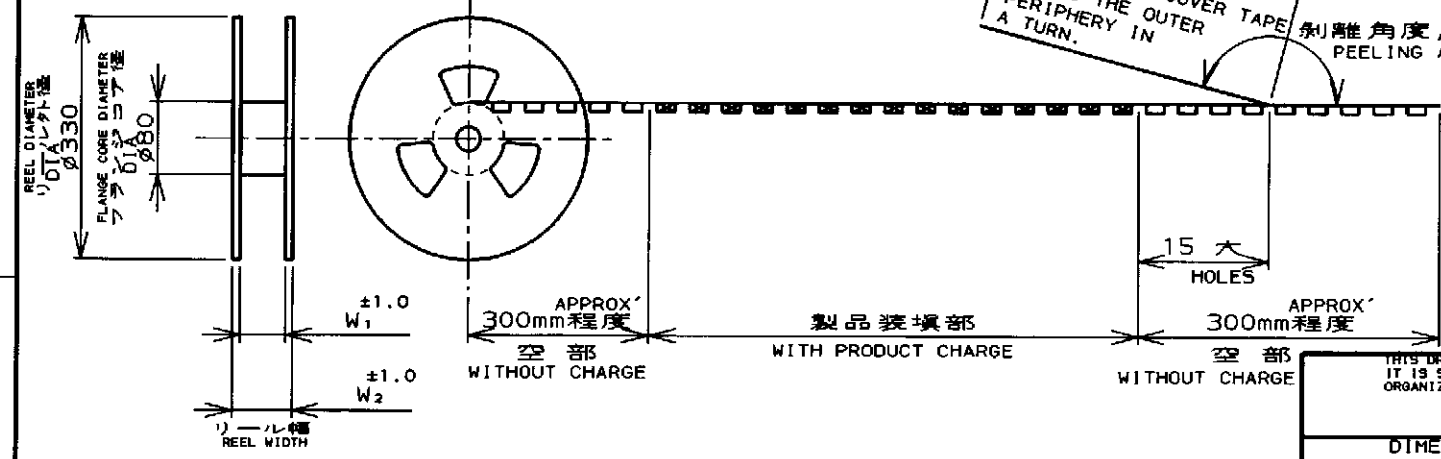
HANDLING AND OPERATION INSTRUCTION SHEET 取扱説明書 411-5808	WIRE RANGE 適合電線断面積	INSULATION DIA 被覆外径
OWN 2/28'97 Y. NAKAZAWA CHK 4/17'97 K. ASAKAWA APVD S. Kobayashi 4/8'98	AMP 日本エー・エム・シー株式会社 Kawasaki, Japan	NAME 名称
PRODUCT SPEC 製品規格 108-5496	ON TAPING (EMBOSS) 0.5mm PITCH Fine Mate CONN. RECEPTACLE ASSEMBLY	RESTRICTED TO
APPLICATION SPEC 取付適用規格	SIZE A3	CAGE CODE 00779
WEIGHT	DRAWING NO 番号 C-316289	SCALE 尺度
CUSTOMER DRAWING	SHEET 2 OF 3	REV A

THIS DRAWING IS UNPUBLISHED. RELEASED FOR PUBLICATION .19  
 (C) COPYRIGHT 19 BY AMP INCORPORATED. ALL RIGHTS RESERVED.

LOC		DIST		REVISIONS				
P	LTR	DESCRIPTION	ECN	DATE	DWN	APVD		
SEE SHEET 1 OF 3								



カバーテープ  
リーダ部  
外周一巻  
WEEDING THE COVER TAPE  
AROUND THE OUTER  
PERIPHERY IN  
A TURN. 剝離角度, 165°~180°  
PEELING ANGLE.



50.5	45.5	24	44	40.4	20.2	1000	80	8-917797-0	8-316289-0
W <sub>2</sub>	W <sub>1</sub>	D	C	B	A	数量 (ヶ) QTY/REEL	極数 Pos	コネクタ型番 (バラ状) CONNECTOR P/N (L/P)	リール巻 コネクタ型番 TAPING P/N

HANDLING AND OPERATION INSTRUCTION SHEET 取扱説明書 411-5808	WIRE RANGE 包含電線断面積	INSULATION DIA 被覆外径
DWN CHK APVD PRODUCT SPEC 製品規格 108-5496	 日本エー・エム・シー株式会社 Kawasaki, Japan	
APPLICATION SPEC 取付適用規格	NAME 名称 ON TAPING (EMBOSS) 0.5mm PITCH Fine Mate CONN. RECEPTACLE ASSEMBLY	
WEIGHT	SIZE A3	CAGE CODE 00779
CUSTOMER DRAWING	DRAWING NO 番号 C-316289	RESTRICTED TO
	SCALE 尺度	SHEET 3 OF 3

THIS DRAWING IS A CONTROLLED DOCUMENT FOR AMP INCORPORATED. IT IS SUBJECT TO CHANGE AND THE CONTROLLING ENGINEERING ORGANIZATION SHOULD BE CONTACTED FOR THE LATEST REVISION.	
DIMENSIONS 単位・規 mm	TOLERANCES UNLESS OTHERWISE SPECIFIED 一般公差 10 <sub>μ</sub> ±0.2 30 <sub>μ</sub> ±0.25 100 <sub>μ</sub> ±0.3 ANGLE: ±3°
MATERIAL 材料	FINISH 仕上